

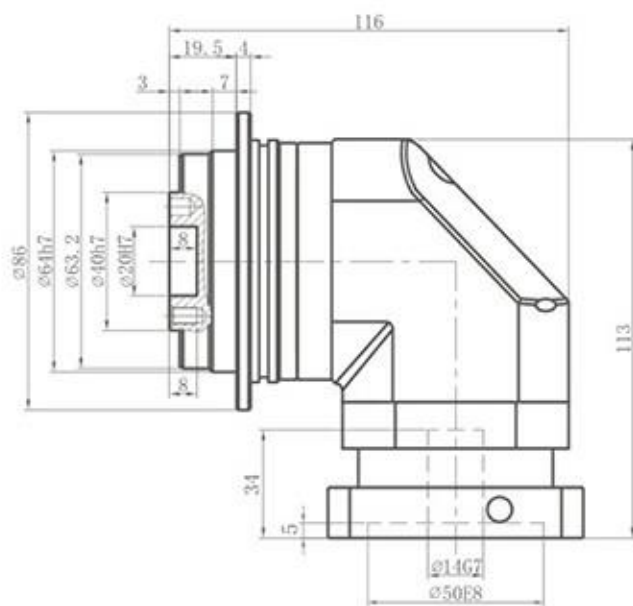
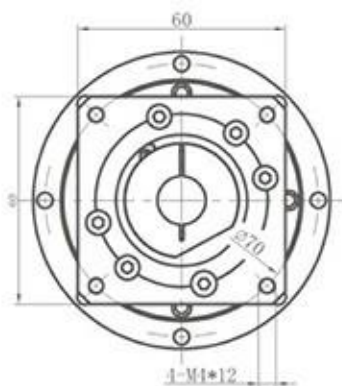


外形尺寸

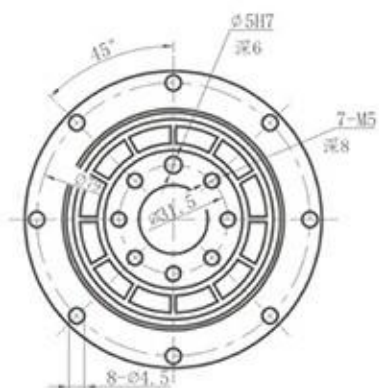
Dimensions

PDR064-L1

输入端 (Input)

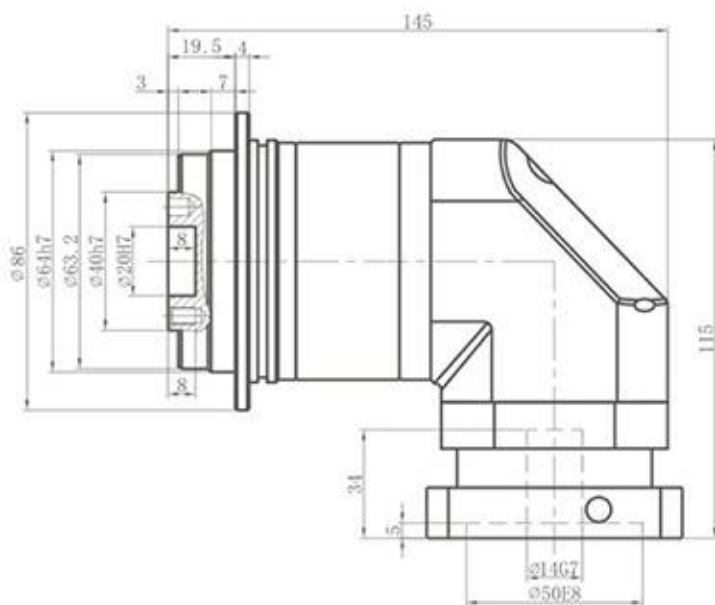
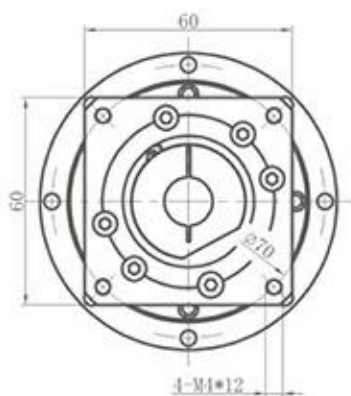


输出端 (Output)

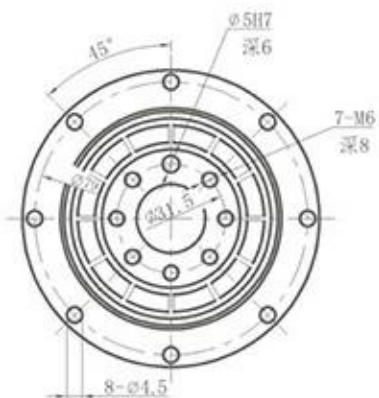


PDR064-L2

输入端 (Input)



输出端 (Output)



性能参数

Performance parameter

PDR064

PDR090

PDR110

			L1 单节 One Stage					L2 双节 Two Stage						
速比 Speed	t	i	4	5	7	8	10	20	25	35	40	50	70	100
额定输出力矩 Rated output torque	T ₁	Nm	48	60	50	50	40	48	60	50	48	60	50	40
急停扭矩 Emergency Stop Torque	T ₂	Nm	X3					X3						
额定输入转速 Rated Input Speed	S ₁	rpm	5000					5000						
最大输入转速 Maximum Input Speed	S ₂	rpm	10000					10000						
最大输出力矩 Maximum Output Torque	T ₄	Nm	T ₁ * X3 * 60%					T ₁ * X3 * 60%						
最大径向力 Maximum Radial Force	F _a	N	2110					2110						
最大轴向力 Maximum Axial Force	R	N	125					125						
扭转刚性 Torsional Rigidity	-	Nm/ arcmin	13					13						
效率 Effectivraiss	B	%	>94					>92						
寿命 Life		h	20000					20000						
反馈噪音 Feedback Noise		dB	<58					<58						
重量 Weight		Kg	1.9					2.1						
回程间隙 Backlash	P ₀	arcmin	-					-						
	P ₁		≤ 4					≤ 7						
	P ₂		≤ 6					≤ 9						
使用温度 Operating Temperature		°C	-10°C-90°C					-10°C-90°C						
润滑 Lubricating			合成油脂 Synthetic Grease					合成油脂 Synthetic Grease						
防护等级 Protection Level			IP65					IP65						
传动惯量 Transmission Inatia	J	kg.cm ²	0.35					0.09						
安装方向 Installation Direction			任意方向 Any Direction					任意方向 Any Direction						

备注:

变速比(i=S_{in}/S_{out})

结果输出转速100rpm时, 作用于输出轴中心。

连续运转寿命10000h。

噪音值基于输入转速3000rpm, i=10所得。

Remarks:

Speed ratio (i=S_{in}/S_{out})

When the output speed is 100 rpm, it acts on the center of the output shaft.

For continous operation, the service life is no less than 10,000 hours.

The noise value was measured based on the input rotational speed of 3000 rpm, i=10.

此样本中的所有产品型号及参数如有变更恕不另行通告, 订货前请与本司确认。

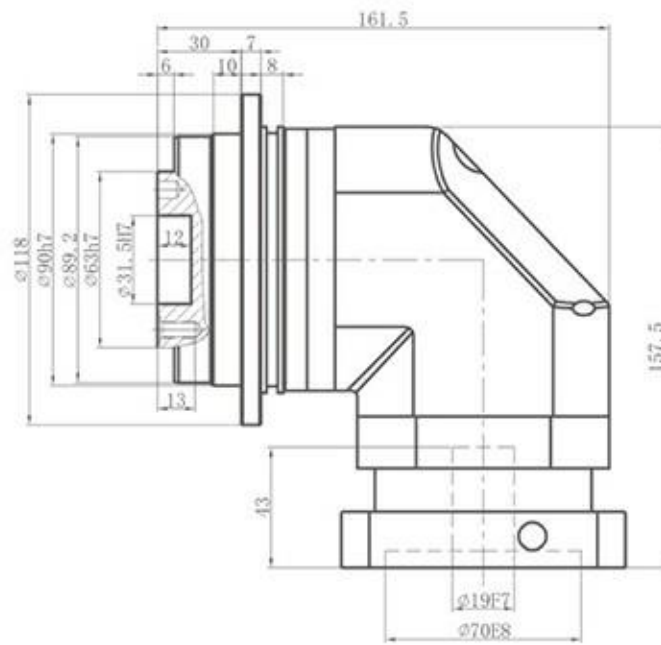
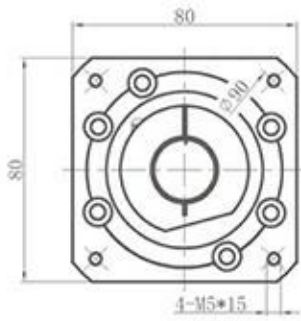
Any product models and parameters in this sample are subject to change without prior notice. Please confirm with the company before ordering.

外形尺寸

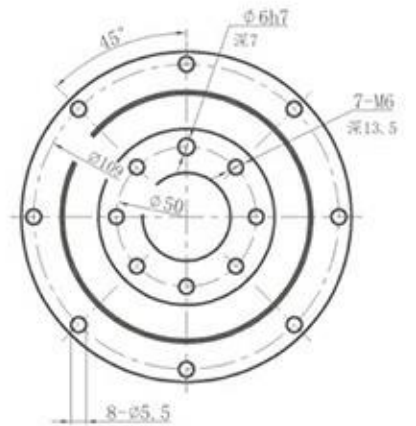
Dimensions

PDR090-L1

输入端 (Input)

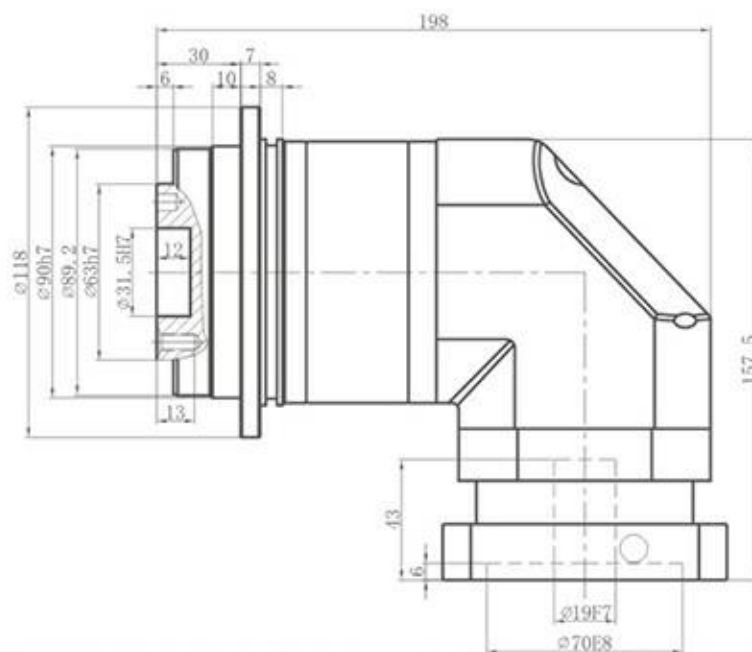
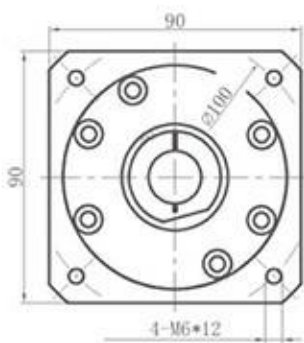


输出端 (Output)

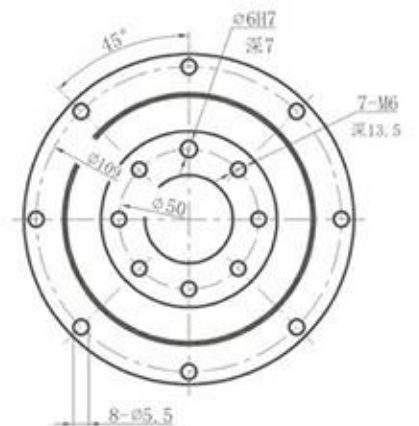


PDR090-L2

输入端 (Input)



输出端 (Output)



性能参数

Performance parameter

PDR064

PDR090

PDR110

			L1 单节 One Stage					L2 双节 Two Stage						
速比 Speed	t	i	4	5	7	8	10	20	25	35	40	50	70	100
额定输出力矩 Rated output torque	T ₁	Nm	130	160	140	120	100	130	160	140	130	160	140	100
急停扭矩 Emergency Stop Torque	T ₂	Nm	X3					X3						
额定输入转速 Rated Input Speed	S ₁	rpm	4000					4000						
最大输入转速 Maximum Input Speed	S ₂	rpm	8000					8000						
最大输出力矩 Maximum Output Torque	T ₄	Nm	T ₁ * X3 * 60%					T ₁ * X3 * 60%						
最大径向力 Maximum Radial Force	F _a	N	2850					2850						
最大轴向力 Maximum Axial Force	R	N	235					235						
扭转刚性 Torsional Rigidity	-	Nm/ arcmin	31					31						
效率 Effectivraess	B	%	>94					>92						
寿命 Life		h	20000					20000						
反馈噪音 Feedback Noise		dB	<60					<60						
重量 Weight		Kg	4.5					5.9						
回程间隙 Backlash	P ₀	arcmin	-					-						
	P ₁		≤ 4					≤ 7						
	P ₂		≤ 6					≤ 9						
使用温度 Operating Temperature		°C	-10°C-90°C					-10°C-90°C						
润滑 Lubricating			合成油脂 Synthetic Grease					合成油脂 Synthetic Grease						
防护等级 Protection Level			IP65					IP65						
传动惯量 Transmission Inatia	J	kg.cm ²	2.25					0.35						
安装方向 Installation Direction			任意方向 Any Direction					任意方向 Any Direction						

备注:

变速比($i=S_{in}/S_{out}$)

结果输出转速100rpm时, 作用于输出轴中心。

连续运转寿命10000h。

噪音值基于输入转速3000rpm, $i=10$ 所得。

Remarks:

Speed ratio ($i=S_{in}/S_{out}$)

When the output speed is 100 rpm, it acts on the center of the output shaft.

For continuous operation, the service life is no less than 10,000 hours.

The noise value was measured based on the input rotational speed of 3000 rpm, $i=10$.

此样本中的所有产品型号及参数如有变更恕不另行通告, 订货前请与本司确认。

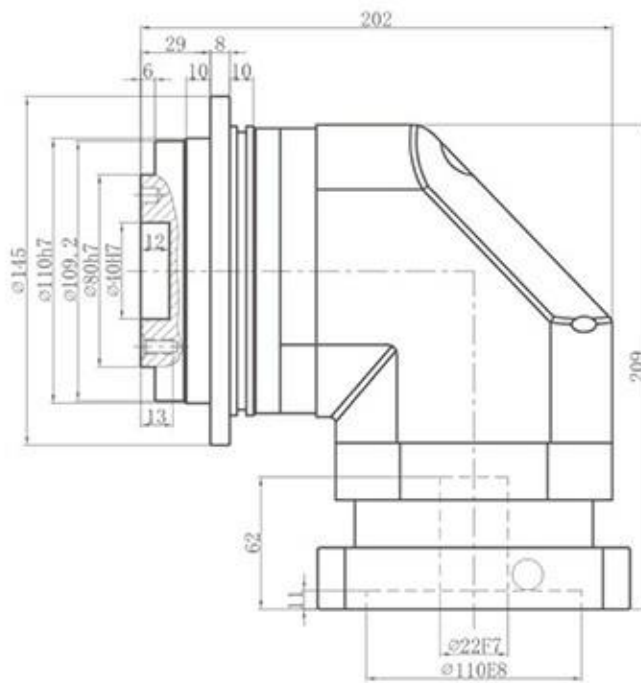
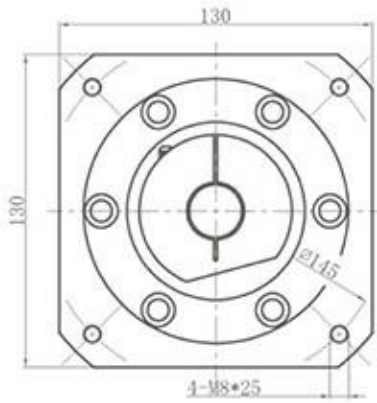
Any product models and parameters in this sample are subject to change without prior notice. Please confirm with the company before ordering.

外形尺寸

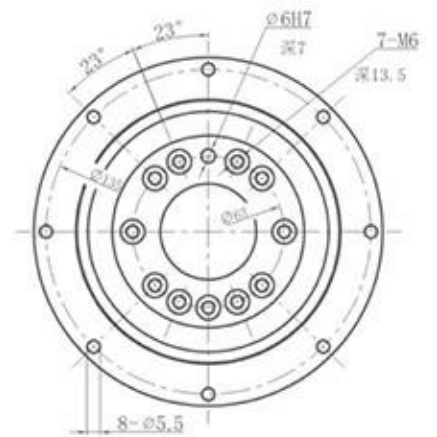
Dimensions

PDR110-L1

输入端 (Input)

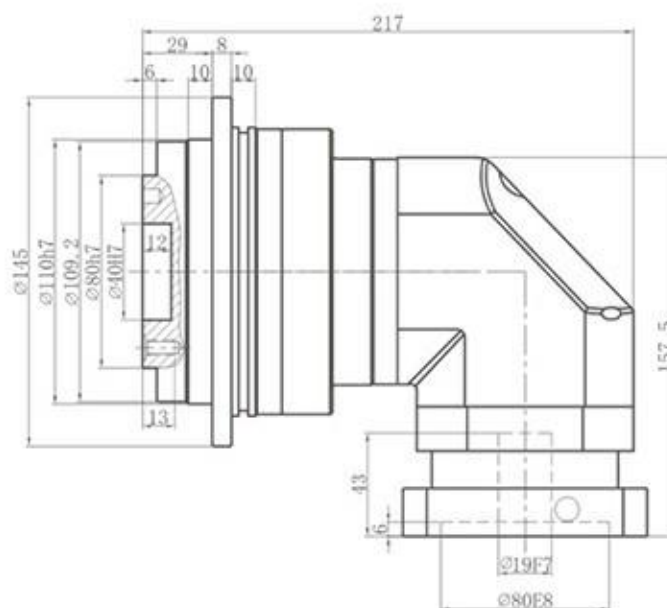
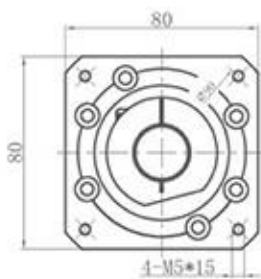


输出端 (Output)

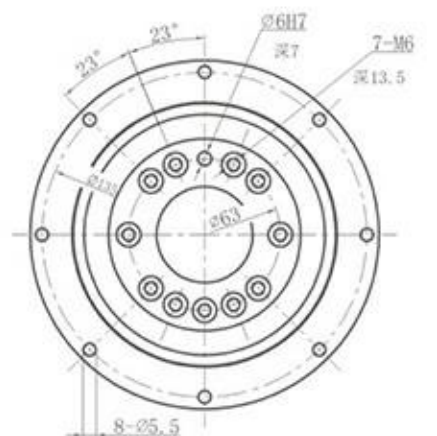


PDR110-L2

输入端 (Input)



输出端 (Output)



性能参数

Performance parameter

PDR064

PDR090

PDR110

		L1 单节 One Stage						L2 双节 Two Stage						
速比 Speed	t	i	4	5	7	8	10	20	25	35	40	50	70	100
额定输出力矩 Rated output torque	T ₁	Nm	270	330	300	260	230	270	330	300	270	330	300	230
急停扭矩 Emergency Stop Torque	T ₂	Nm	X3						X3					
额定输入转速 Rated Input Speed	S ₁	rpm	4000						4000					
最大输入转速 Maximum Input Speed	S ₂	rpm	8000						8000					
最大输出力矩 Maximum Output Torque	T ₄	Nm	T ₁ * X3 * 60%						T ₁ * X3 * 60%					
最大径向力 Maximum Radial Force	F _a	N	4800						4800					
最大轴向力 Maximum Axial Force	R	N	430						430					
扭转刚性 Torsional Rigidity	-	Nm/ arcmin	82						82					
效率 Effectivraiss	B	%	>94						>92					
寿命 Life		h	20000						20000					
反馈噪音 Feedback Noise		dB	<63						<63					
重量 Weight		Kg	9.8						10.5					
回程间隙 Backlash	P ₀	arcmin	-						-					
	P ₁		≤ 4						≤ 7					
	P ₂		≤ 6						≤ 9					
使用温度 Operating Temperature		°C	-10°C-90°C						-10°C-90°C					
润滑 Lubricating			合成油脂 Synthetic Grease						合成油脂 Synthetic Grease					
防护等级 Protection Level			IP65						IP65					
传动惯量 Transmission Inatia	J	kg.cm ²	6.84						2.25					
安装方向 Installation Direction			任意方向 Any Direction						任意方向 Any Direction					

备注:

变速比($i=S_{in}/S_{out}$)

结果输出转速100rpm时, 作用于输出轴中心。

连续运转寿命10000h。

噪音值基于输入转速3000rpm, $i=10$ 所得。

Remarks:

Speed ratio ($i=S_{in}/S_{out}$)

When the output speed is 100 rpm, it acts on the center of the output shaft.

For continuous operation, the service life is no less than 10,000 hours.

The noise value was measured based on the input rotational speed of 3000 rpm, $i=10$.

此样本中的所有产品型号及参数如有变更恕不另行通告, 订货前请与本司确认。

Any product models and parameters in this sample are subject to change without prior notice. Please confirm with the company before ordering.